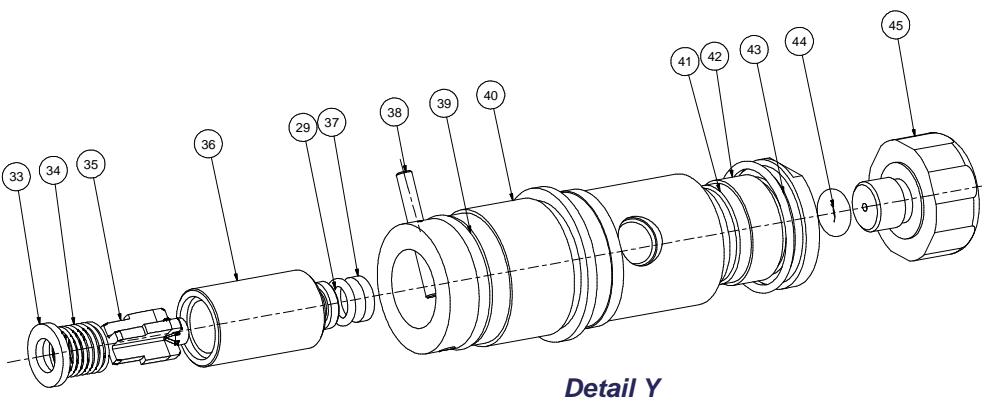
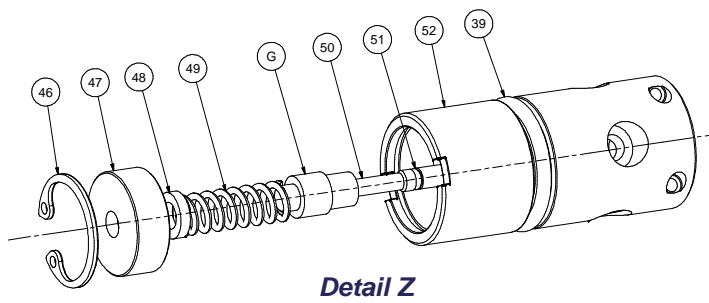


Detail Y

Coyote tactical stock version



Detail Y



Detail Z

COYOTE FULL RIFLE
(GAMO OUTDOOR S.L.U.)

PARTS LIST			
ITEM	QTY	PART NUMBER	DESCRIPTION
1	1	16-9125	Bolt handle fixing bolt
2	1	16-9355	Bolt handle
3	1	16-9048	O-Ring probe seal
4	2	16-9025	Pellet probe bearing
5	1	16-6729	Cocking pin bolt
6	1	16-6724	Cocking pin
7	1	16-9019	Pellet probe bearing front
8	1	16-9047	Retaining pin
9	1	16-9018	Pellet probe filler piece
10	2	16-9049	Breech bolt
11	1	16-9124	Barrel steady O-Ring
12	1	16-9354	Muzzle weight anodising
13	3	16-9123	Barrel steady fixing screw
14	1	16-9039	Barrel steady
15	1	16-9017	Quick gauge cover
16	1	16-9352	Coyote trigger assembly
17	1	16-9020	Hammer bearing
18	1	16-9107	Hammer weight
19	1	16-9113	Trigger assy. location pin
20	1	16-6789	Ball retainer spring
21	1	16-6013	Steel bolt indent ball 6mm
22	1	16-6542	Hammer grub screw M6x6
23	1	16-9106	Hammer latch pin
24	1	16-9015	Mag slot filler
25	1	16-9119	Stock location pin
26	2	16-9043	M5x6 Socket cap plain head
27	1	16-9041	Cylinder tube rifle
28	2	16-6357	M4x6 Grubscrew

PARTS LIST			
ITEM	QTY	PART NUMBER	DESCRIPTION
29	3	16-9103	O-Ring
30	1	36240	Screw M6x22 DIN7985 TORX
31	1	39390	Trigger guard
32	1	29300	Screw ø4,2x13 DIN7983
33	1	16-9128	Quickfill bush washer
34	1	16-9037	Inlet valve spring
35	1	16-9022	Inlet valve moulding
36	1	16-9035	Quickfill bush
37	1	16-9036	Air filter
38	1	16-9038	Quickfill bush retaining pin
39	2	16-9102	O-Ring main cylinder
40	1	16-9034	Quickfill body
41	1	16-9104	O-Ring gauge
42	1	16-9040	Pressure gauge adaptor
43	1	16-9114	Quickfill Cover Retaining O-Ring
44	1	16-7406	O-Ring Laser 10 0030-30-nbr 70
45	1	16-9367	Pressure gauge assembly
46	1	16-9031	Valve housing cap circlip
47	1	16-9028	Valve housing cap
48	1	16-6584	Knock off valve spring washer
49	1	16-6092	Valve stem spring
50	1	16-9030	Knock off valve pin
51	1	16-9105	O-Ring knockoff stem
52	1	16-9027	Valve housing
53	1	16-9046	Magnet

PARTS LIST					
ITEM	QTY	Cal. 177	Cal. 22	Cal. 25	DESCRIPTION
A	1	16-9044	16-9045	16-9471	Pellet probe
B	1	16-6604	16-6560	16-6944	O-Ring
C	1	16-9344	16-9339	16-9473	Breech block
C	1	16-9417	16-9418	16-9672	Breech block (Black stock)
D	1	16-9382	16-9383	16-9469	Rifle barrel

PARTS LIST							
ITEM E: Spring							
Power/cal	2J	3J	7.5/10J	16J	20J	24J	FAC
0.177	16-6605	16-6605	16-9724	16-6605	16-6605	16-6605	16-6605
0.22	-	-	16-9724	16-6605	16-6605	16-6605	16-6605
0.25	-	-	-	-	-	-	16-6605

PARTS LIST							
ITEM F: Transfer port							
Power/cal	2J	3J	7.5/10J	16J	20J	24J	FAC
0.177	16-9276	16-9564	16-9147	16-9100	16-9214	16-9126	16-9101
0.22	-	-	16-9147	16-9100	16-9100	16-9214	16-9101
0.25	-	-	-	-	-	-	16-9101

PARTS LIST							
ITEM G: Knock off valve							
Power/cal	2J	3J	7.5/10J	16J	20J	24J	FAC
0.177	16-9029	16-9029	16-9145	16-9145	16-9029	16-9029	16-9029
0.22	-	-	16-9145	16-9145	16-9029	16-9029	16-9029
0.25	-	-	-	-	-	-	16-9029

PARTS LIST			
ITEM H: Stock			
Wood	Tactical	QTY	DESCRIPTION
38912	-	1	Coyote stock
-	39382	1	Coyote black stock

PARTS LIST			
ITEM I: Screw			
Wood	Tactical	QTY	DESCRIPTION
36240	-	1	Stock Screw
-	29240	1	Stock Screw

PARTS LIST			
ITEM J: Washer			
Wood	Tactical	QTY	DESCRIPTION
16-9245	-	1	Stock washer
-	28010	1	Stock washer

ITEM K: Cylinder end cap*			
Wood	Tactical	QTY	DESCRIPTION
16-9016	-	1	Cylinder end cap
-	30920	1	Cylinder end cap

* (Spare not available for UK market)

COYOTE FULL RIFLE
(GAMO OUTDOOR S.L.U.)